

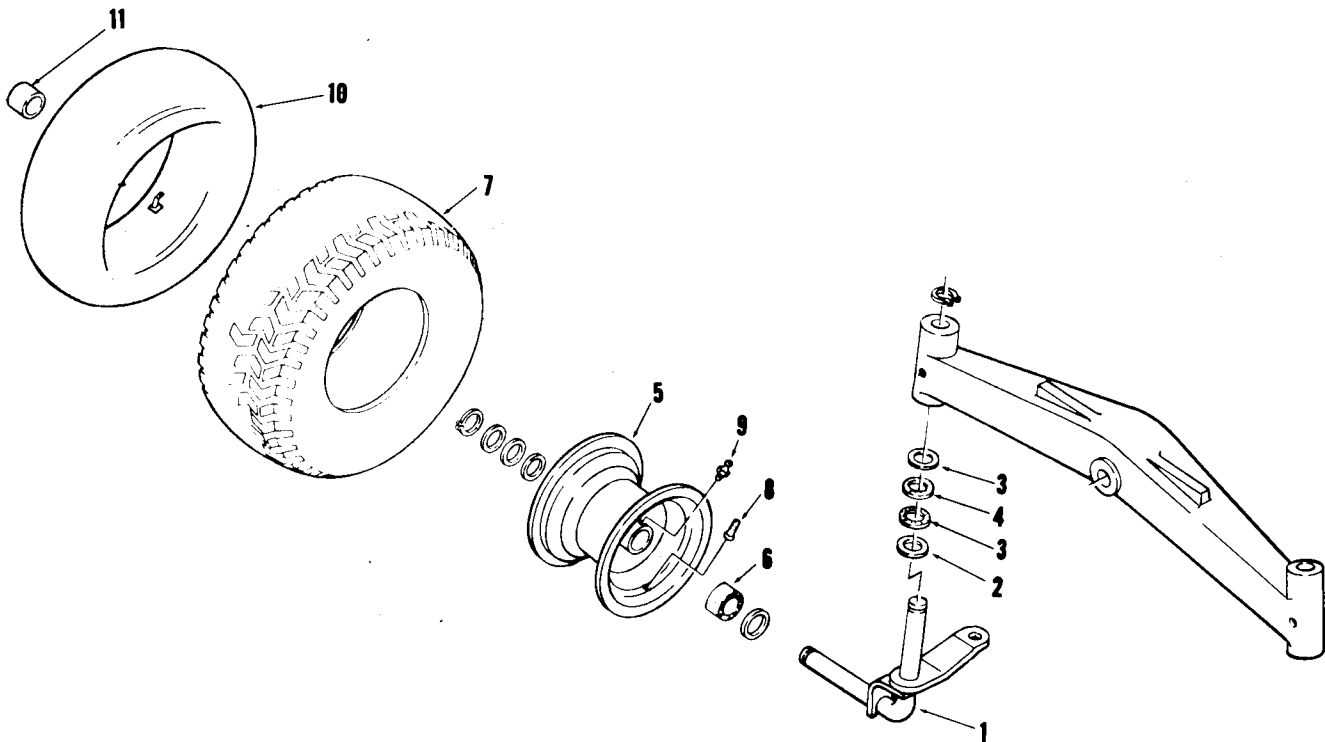
PARTS LIST FOR HEAVY DUTY FRONT WHEELS AND SPINDLES KIT

FACTORY ORDER NUMBER 8-0490

When ordering parts always list Part No. and Description.

Parts available only through Authorized Dealers.

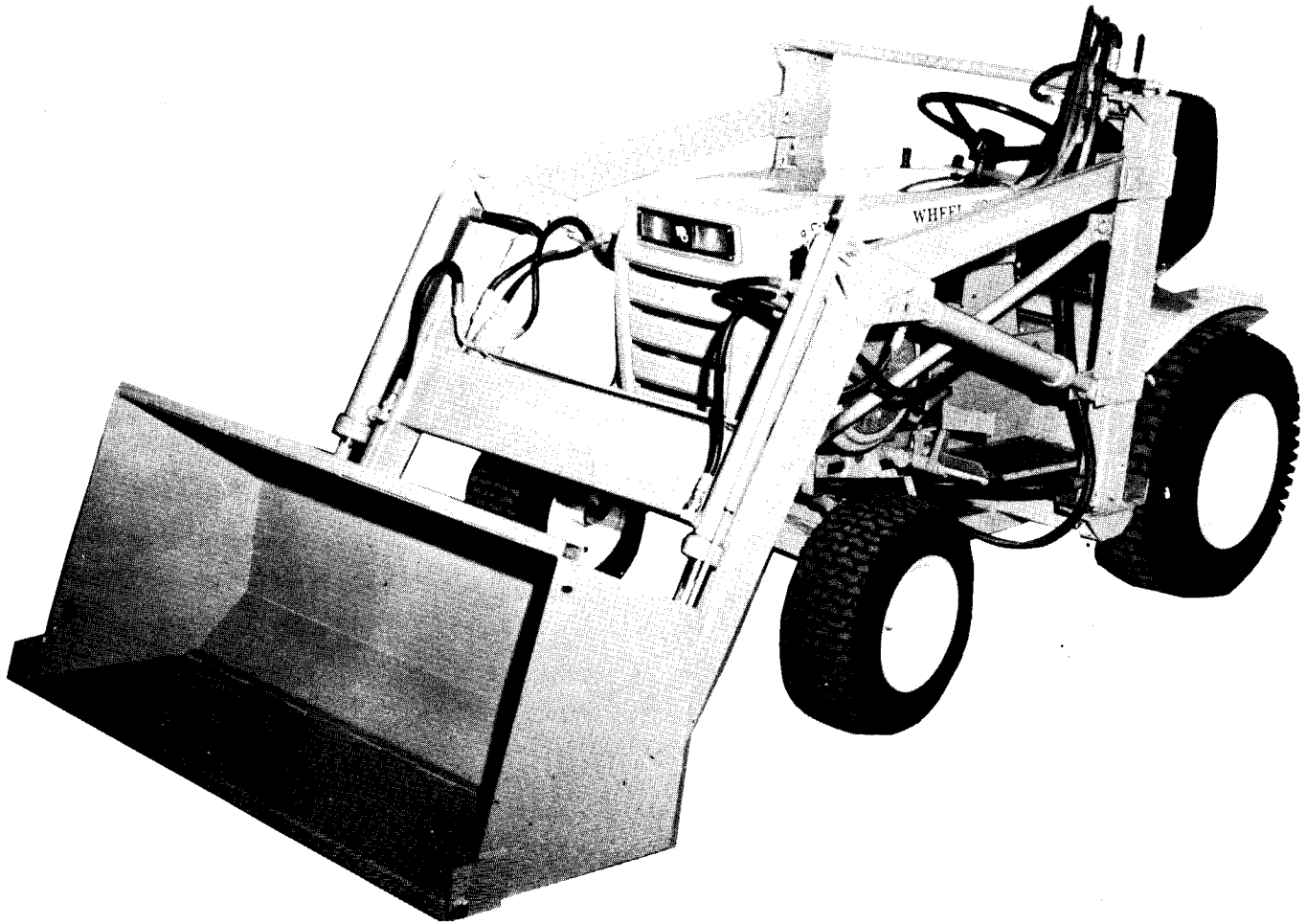
(Specifications subject to change without notice.)



ITEM NO.	WHEEL HORSE PART NO.	DESCRIPTION	NO. REQ'D.
1	107650	Spindle, R. H.	1
1	107651	Spindle, L. H.	1
2	7956	Thrust Washer	2
3	107051	Slip Washer (Coated)	4
4	1278	Shim Washer (.050)	2
5	107123	Wheel	2
6	107124	Ball Bearing	4
7	9792	Tire, 16-6:50 x 8	2
8	5108	Valve	2
9	1030	Zerk Fitting	2
10	105293	Tube (Service Only)	2
11	104398	Hub Cap	2

PARTS LISTED ABOVE AVAILABLE THROUGH WHEEL HORSE DISTRIBUTION SYSTEM

**OPERATING
AND
MAINTENANCE INSTRUCTIONS
WITH
PARTS LIST**



**FRONT LOADER
and
H.D. FRONT WHEELS & SPINDLES**



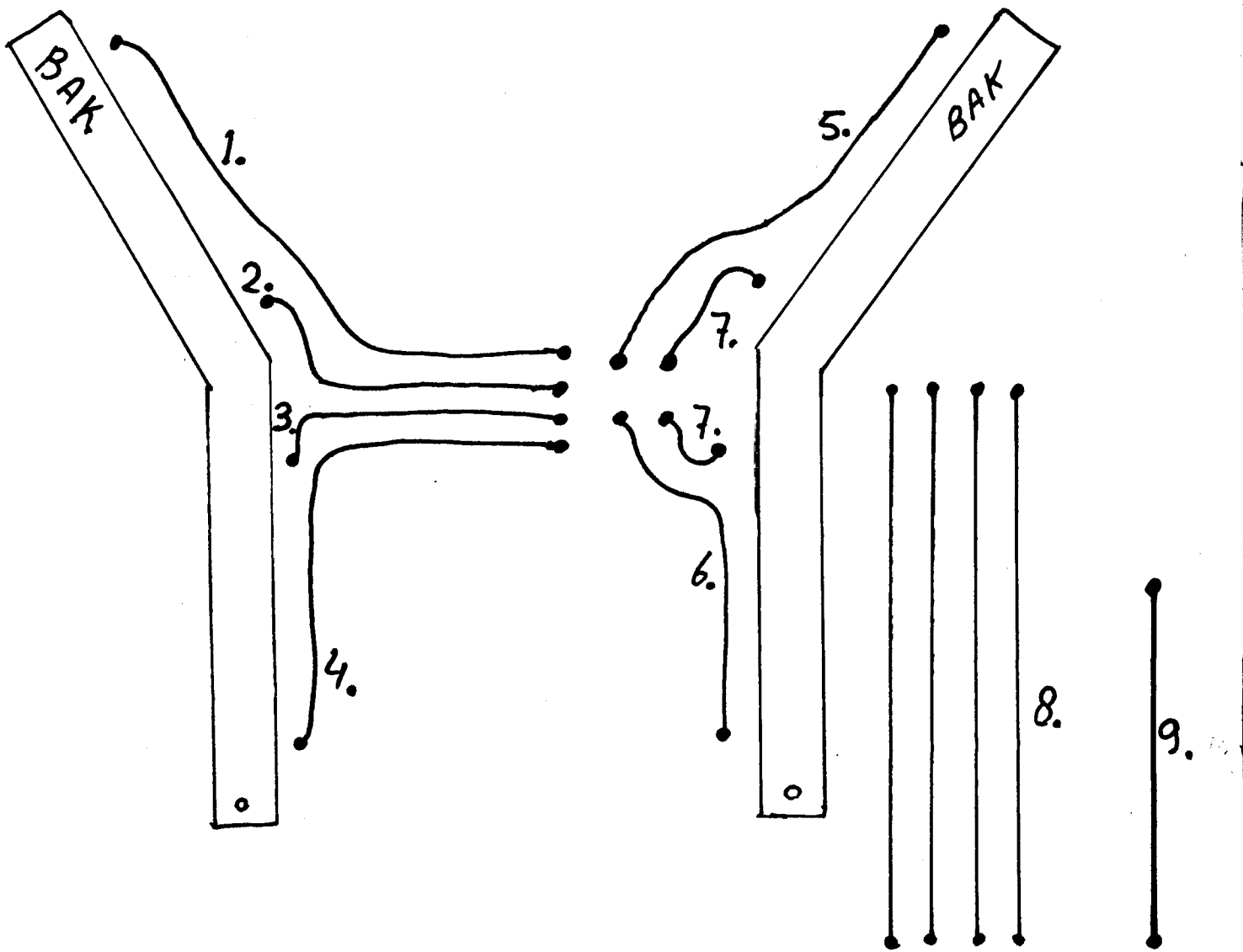
WHEEL HORSE
lawn & garden tractors

07-40FLO1
and
8-0490

Price \$1.00 Printed in U.S.A. 0979

PART NO. 810149R1

W.H. Front Lader (slangen)

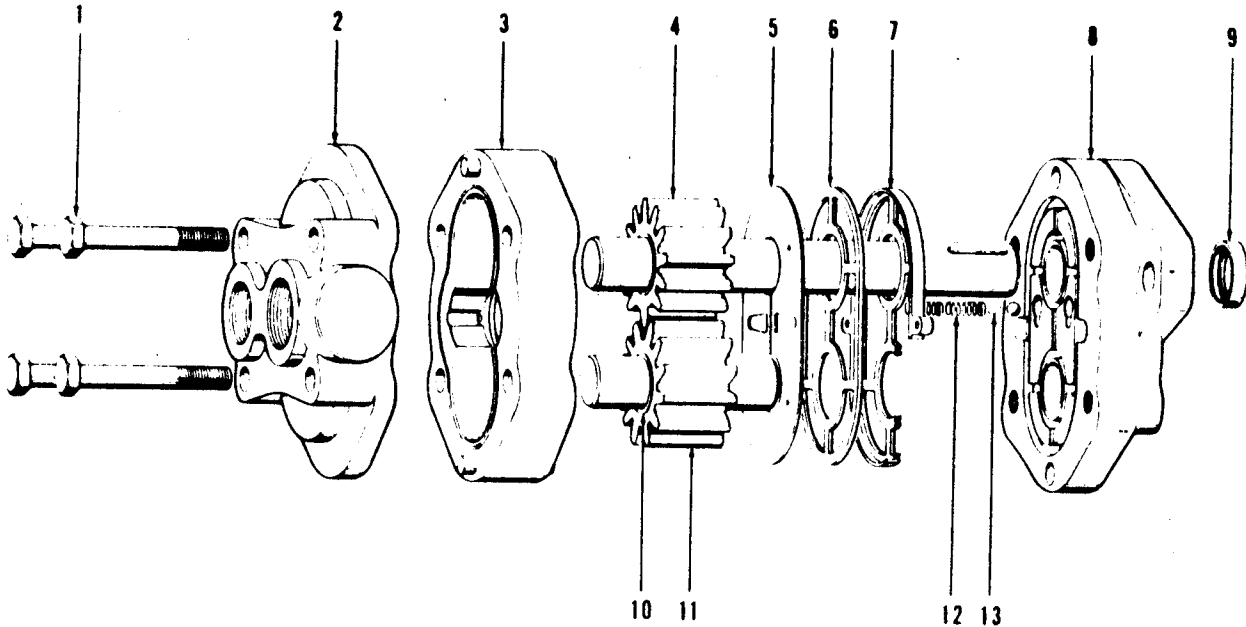


WHE 1	F 90 6-4 1/4" + slang 1/4" L = 1070 + F2 6-4 1/4"
" 2	" + " L = 1150 + "
" 3	" + " L = 1300 + "
" 4	" + " L = 1600 + "
" 5	F 90 6-4 1/4" + slang 1/4" L = 350 + F 90 6-4 1/4"
" 6	" + " L = 520 + "
" 7	" + " L = 280 + "
" 8	F2 6-4 1/4" + SLANG 1/4" L = 1200 + F2 6-4 1/4"
" 9	Q 10-16 + SLANG 3/8" L = 650 + Q 10-16

HYDRAULIC PUMP PARTS IDENTIFICATION

ARK PUMP NUMBERS

23001 and 23001.1



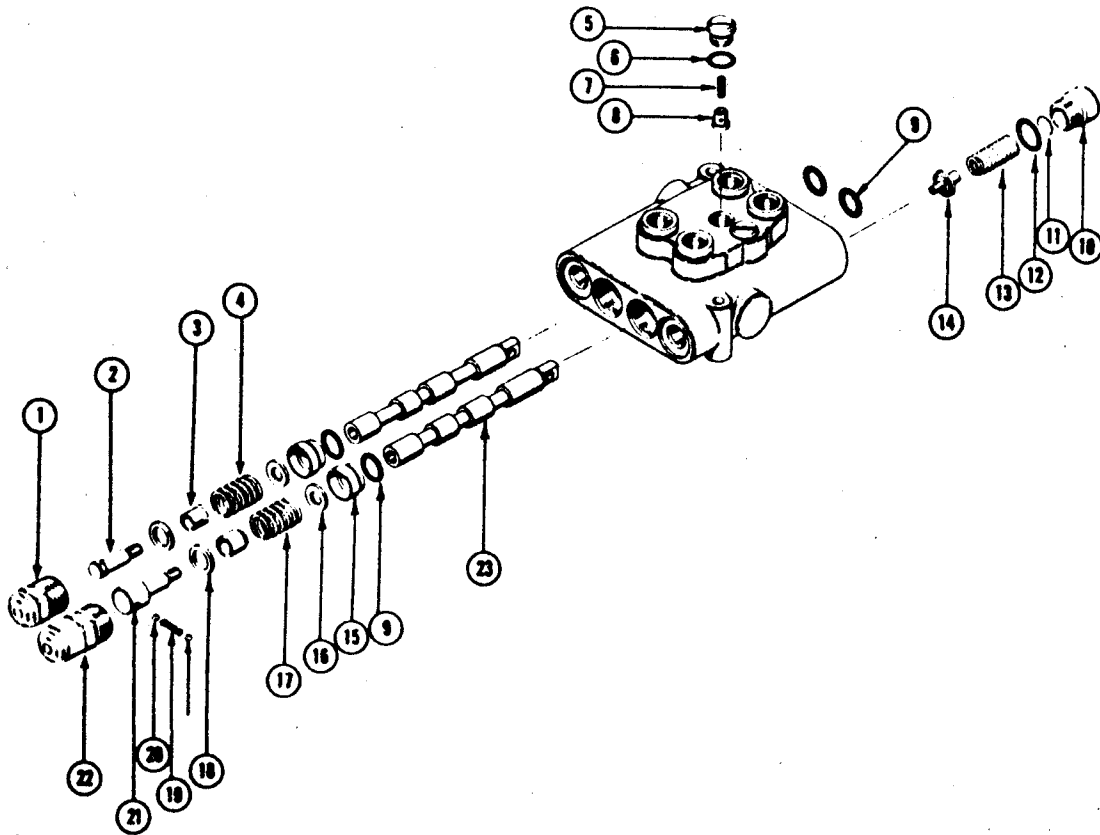
PARTS LIST

Ref. No.	Description	Part No.	Ref. No.	Description	Part No.
1.	Cap Screws	23114	8.	Front Plate Assembly	23105
2.	Back Plate Assembly	23104	9.	Shaft Seal	23103
3.	Body & Dowel Assembly	23111	10.	Snap Ring	
4.	Drive Gear Assembly	23109	11.	Idler Gear Assembly	23110
5.	Diaphragm	23101	12.	Springs	23112
6.	Nylatron Gasket	23102	13.	Steel Ball	23113
7.	Moulded "V" Seal	23106	14.	Seal Repair Kit	23107

* Pump 23001.1 - P/N 23116 Body Assembly, replaces 23111 Body Assembly

ARK CONTROL VALVE
P/N 22001

CONTROL VALVE PARTS IDENTIFICATION



Ref. No.	Description	Part No.	Ref. No.	Description	Part No.
1	Cap, Spool	22105	13	Spring, Relief Valve	22128
2	Screw, Spool	22103	14	Poppet	22109
3	Spacer, Spool	22104	15	Bushing, Spool	22106
4	Spring, Spool Centering	22107	16	Washer	22114
5	Plug, Lift check	22116	17	Spring, Spool Centering	22122
6	O-Ring, 3/32 x 3/8 ID	22117	18	Washer	22127
7	Spring, Lift check	22102	19	Spring, Detent	22123
8	Plunger, Lift check	22101	20	Ball, Detent	22126
9	O-Ring, 3/32 x 1/2 ID	22110	21	Screw, Detent	22124
10	Plug, Relief Valve	22119	22	Cap, Detent	22125
11	Shim, Relief Valve	22111	23	Spool, 4 Way, Non-Repairable	
12	O-Ring, 3/32 x 9/16 ID	22120	24	Control Valve Seal Kit	22121